

# ZED Box

Powered by NVIDIA® Jetson™ TX2-NX or Xavier-NX



## ZED Box Gateway and SDK Overview

### The most powerful embedded mini-PC for spatial AI.

Powered by NVIDIA® Jetson™ modules, the ZED Box delivers the required GPU horsepower to run modern neural networks and process 3D sensor data in real time, allowing for a complete, self-managed AI system in a small form factor.



# ZED Box | Overview



## Designed to work with all existing ZED cameras

The ZED Box unleashes the full capabilities of the ZED camera series and beyond. Thanks to a USB 3.0 port, it seamlessly connects to all your existing cameras.

## Multiple power supply options

The ZED Box can be powered either over Ethernet or by an external 12V/5A power supply. When in development phase, using the external power supply is more convenient. During deployment, powering the ZED Box over Ethernet is a powerful advantage as a single Ethernet cable can stream the data and power the ZED Box. Users can deploy ZED cameras anywhere reachable by Ethernet cabling, enabling long-range and outdoor coverage.

## Easy to mount

Unlike the other systems out there, you do not need a drilling machine for starting up. Simply mount it, snap together the connectors, and it is good to go. The ZED Box comes with multiple mounting options to meet your needs.

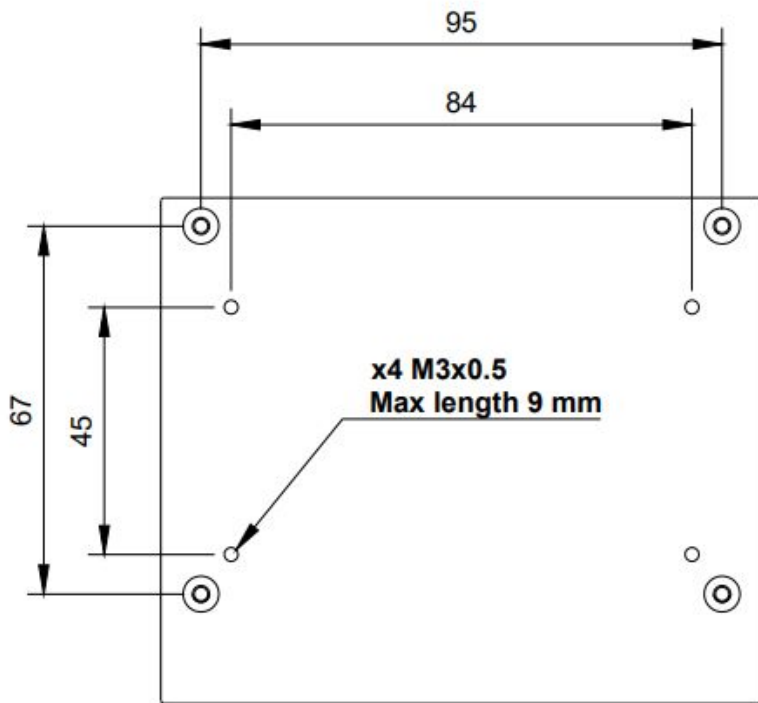
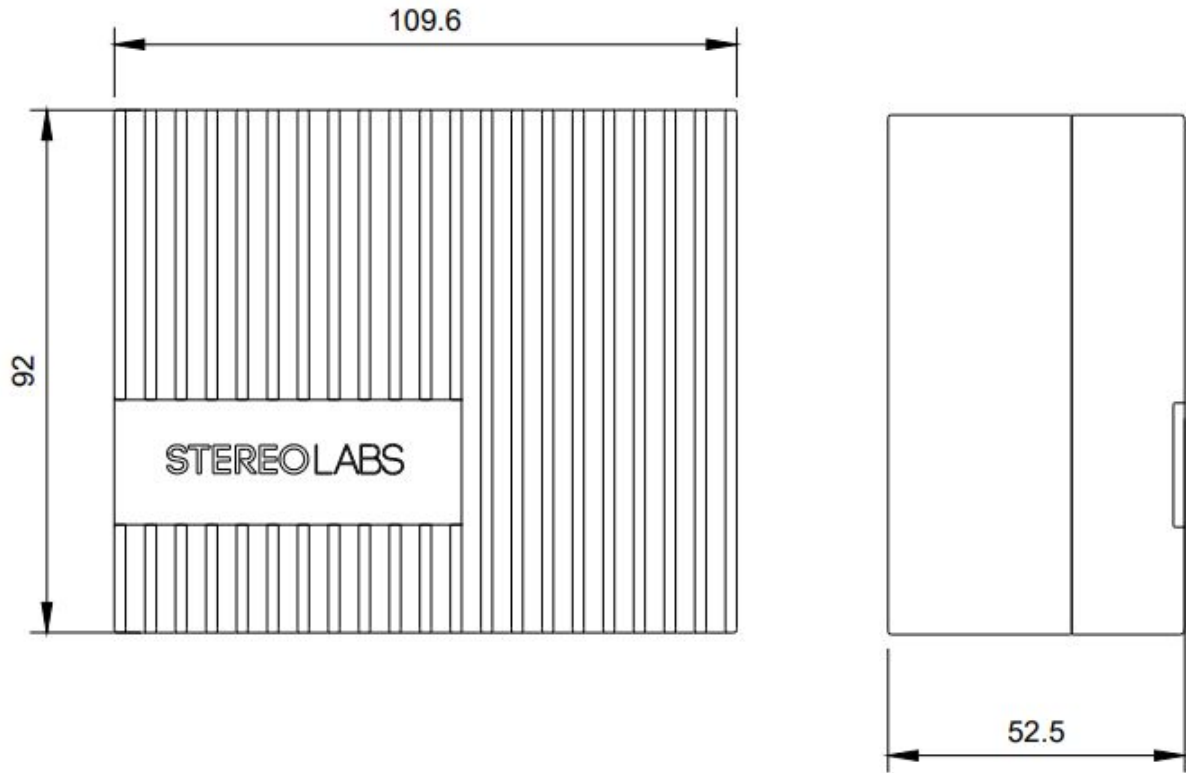
## Ready-to-use out of the box

No need to spend hours on setting up your Edge Computing system, wasting valuable time on getting the systems up and running. The ZED Box comes already set up with all the necessary components for development such as the latest JetPack with CUDA, TRT, CUDNN, OpenCV, VisionWorks, Docker. Install the latest ZED SDK, plug in your ZED cameras and you're all set. The ZED Box supports natively all current and future Stereolabs depth camera models (ZED Mini, ZED 2, and ZED 2i).

# ZED Box | General specifications

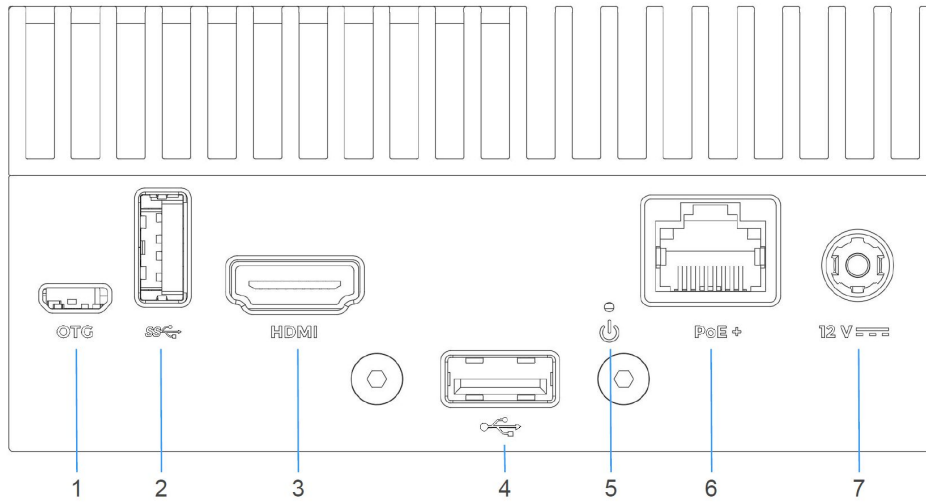
## ZED Box - Available models

Specifications	NVIDIA® Jetson™ TX2 NX	NVIDIA® Jetson™ Xavier NX
Reference	GTWTX2NX256	GTWXNX256
GPU	NVIDIA® Jetson™ TX2 NX 256-core NVIDIA Pascal GPU	NVIDIA® Jetson™ Xavier NX 384-core NVIDIA Volta GPU with 48 Tensor Cores
CPU	Dual-Core Nvidia Denver 2 64-Bit CPU and Quad-Core ARM Cortex- A57 MPcore	6 core NVIDIA Carmel ARM @v8.2 64-bit CPU (6MB L2 + 4MB L3)
Memory	4 Gbbit LPDDR4 – 51.2GB/s	8 GB 128-bit LPDDR4x @ 1600 MHz(51.2GByte/s)
DL accelerator	-	2x NVDLA
Jetson Power Modes	7.5W   15W	10W   15W
Storage	eMMC 16GB SSD 256GB M.2 NVMe	
I/Os	1x USB 3.0 1x USB 2.0 OTG (Flash) 1x Gigabit Ethernet 1x HDMI	
Operating System	Ubuntu 18.04 (L4T)	
Power	PoE+ (30W) or DC-IN (12-19V)	
Dimensions	109 x 92 x 52 mm (L x W x H) 4.3 x 3.6 x 2.0 inches	
Weight	1 kg (2.20 lb)	
Operating Temperature	-20°C to + 60°C (-4°F to 140°F) with 0.5 m/s airflow	
Mounting Options	84x45mm mounting holes, wall (brackets provided) and DIN-rail mounting	
Case	Industrial black aluminium case passively cooled	

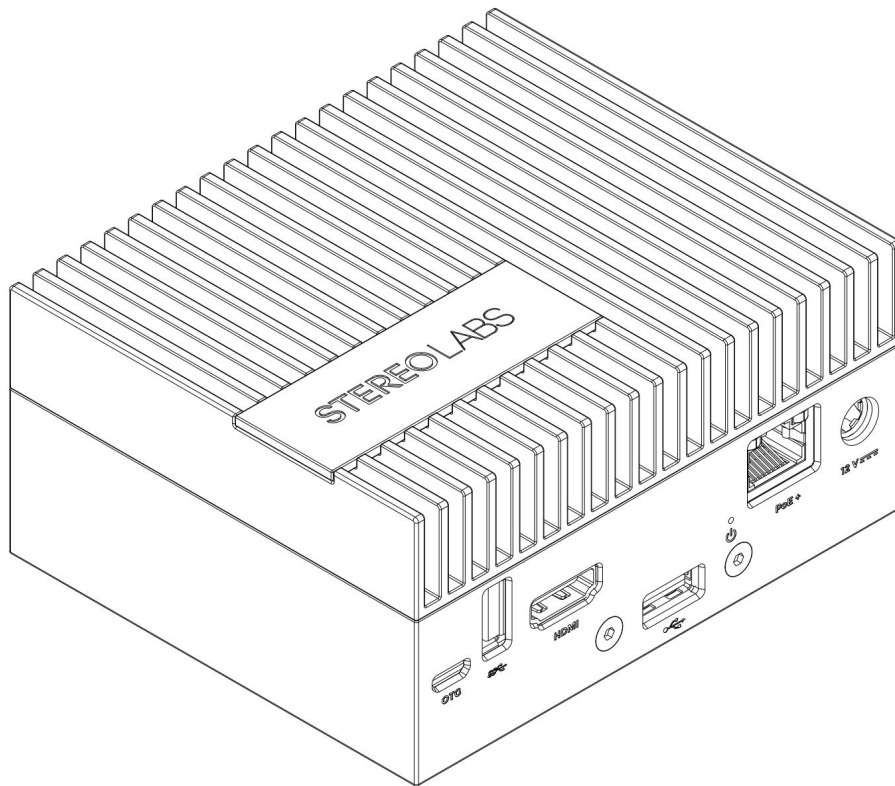


Dimensions are in mm

# ZED Box | Technical Drawings



- 1. Micro USB port
- 2. USB 2.0 port
- 3. HDMI port
- 4. USB 2.0 port
- 5. Power status LED
- 6. PoE+ port
- 7. DC barrel jack power connector



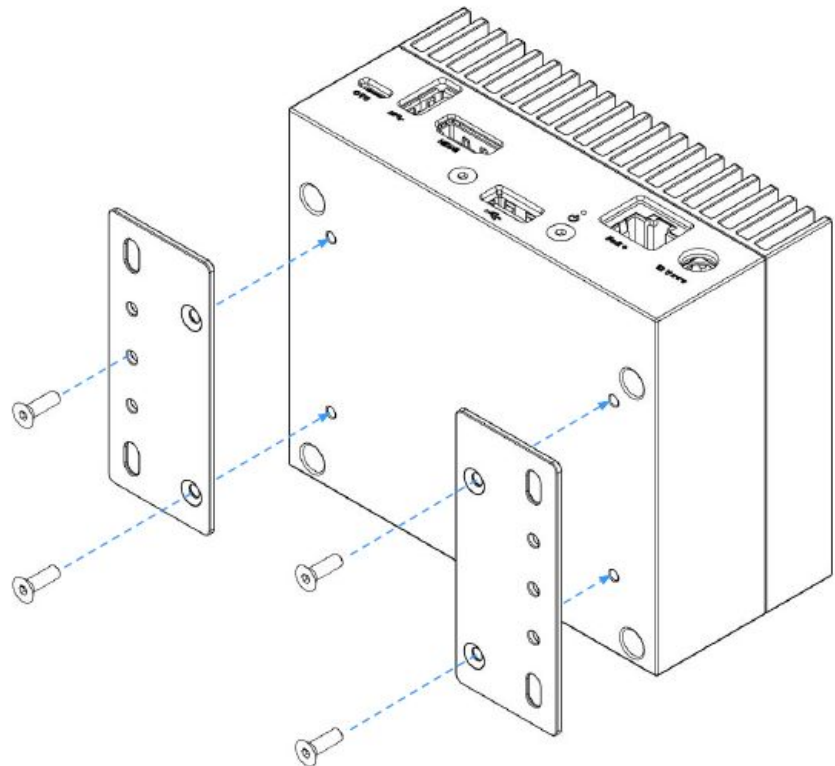
Dimensions are in mm

# ZED Box | Mounting brackets

1

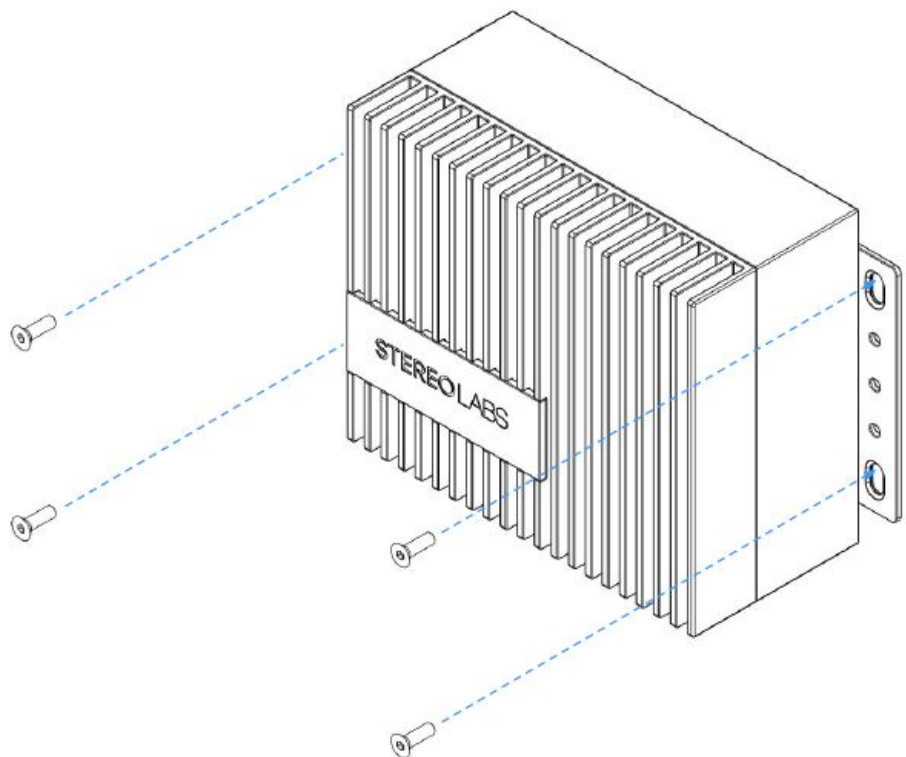
Stereolabs provides mounting brackets for the ZED Gateways so that it can be easily mounted to the walls and other areas as well.

First, screw the brackets onto the bottom of the gateway using the slots provided.



2

Then position the gateway at the desired location and secure the gateway with the screw holes provided.



Dimensions are in mm